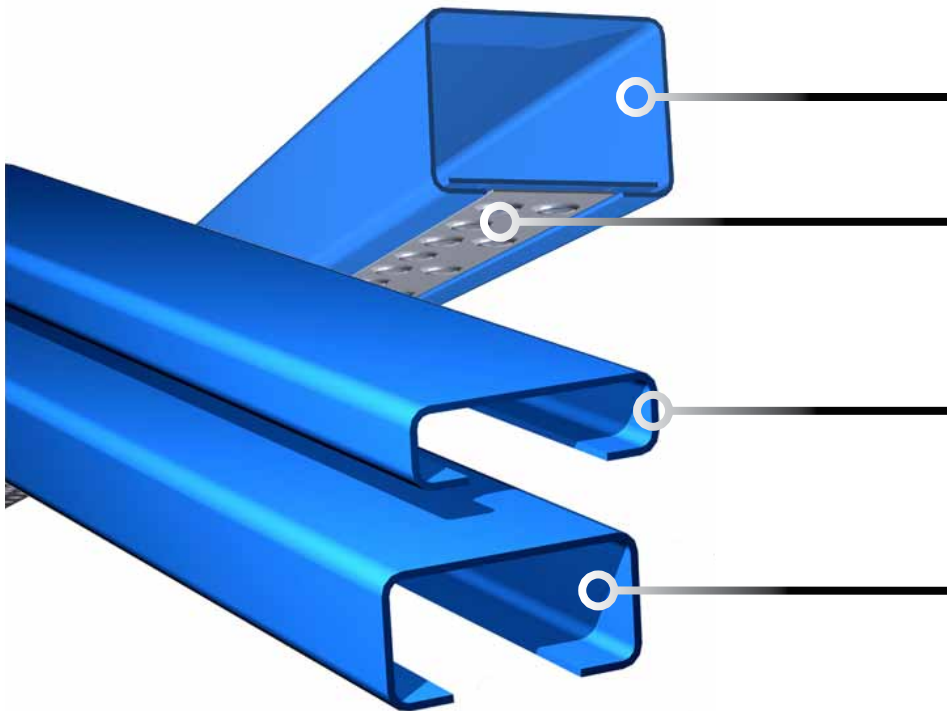


## Light & versatile rectangular lintels

# SB Lintel Range



The SB7 matches the height and width of a conventional brick for easy integration into brick coursing

The SB7 lintel features plaster key as standard, but may be installed upside down for a smooth finish

SB lintels are available in depths as low as 28mm, where less convenient 'W' or 'M' shapes are normally used

The flat 'C' shape of the SB lintels provides significantly greater strength and stiffness than an 'M' or 'W' shaped section lintel

These light duty box lintels are stronger and more versatile than competing low profile shapes and are manufactured standard in LDX 2101® Stainless Steel'

Did you know that LDX 2101® stainless steel is 2.3x stronger than grade 304 stainless steel!!

We also produce a range of standard structural sections from LDX 2101®, including standard dimension RHS

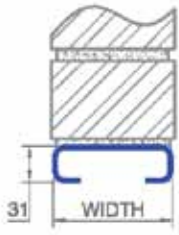
- see page 76

### Standard SB Lintels & Technical Information

	Nominal Wall	SPECIFY (standard)	Width (mm)	Height (mm)	Gauge (mm)	Mass (kg/m)	Ixx (cm <sup>4</sup> )	Zxx (cm <sup>3</sup> )
<b>SB2 Lintels</b>	75mm	<a href="#">SB2-75</a>	75	28	2.0	2.4	3.882	2.284
	90mm	<a href="#">SB2-90</a>	90	28	2.0	2.7	4.181	2.459
	100mm	<a href="#">SB2-100</a>	100	28	2.0	2.8	4.353	2.418
	115mm	<a href="#">SB2-115</a>	115	28	2.0	3.0	4.578	2.409
	125mm	<a href="#">SB2-125</a>	125	28	2.0	3.2	4.710	2.479
	140mm	<a href="#">SB2-140</a>	140	28	2.0	3.4	4.885	2.443
<b>SB3 Lintels</b>	75mm	<a href="#">SB3-75</a>	75	31	3.0	3.7	6.682	3.712
	90mm	<a href="#">SB3-90</a>	90	31	3.0	4.0	7.205	3.792
	100mm	<a href="#">SB3-100</a>	100	31	3.0	4.2	7.507	3.754
	115mm	<a href="#">SB3-115</a>	115	31	3.0	4.6	7.902	3.763
	125mm	<a href="#">SB3-125</a>	125	31	3.0	4.8	8.135	3.874
	140mm	<a href="#">SB3-140</a>	140	31	3.0	5.2	8.445	3.839
<b>SB5 Lintels</b>	90mm	<a href="#">SB5-90</a>	90	50	3.0	5.0	24.23	8.355
	100mm	<a href="#">SB5-100</a>	100	50	3.0	5.3	25.28	8.427
	115mm	<a href="#">SB5-115</a>	115	50	3.0	5.6	26.70	8.613
	125mm	<a href="#">SB5-125</a>	125	50	3.0	5.8	27.56	8.613
	140mm	<a href="#">SB5-140</a>	140	50	3.0	6.2	28.72	8.703
<b>SB7 Lintels</b>	100mm	<a href="#">SB7-100</a>	100	73	2.0	5.5	63.37	16.25
	115mm	<a href="#">SB7-115</a>	115	73	2.0	6.0	70.58	18.10
	125mm	<a href="#">SB7-125</a>	125	73	2.0	6.3	75.34	19.32
	140mm	<a href="#">SB7-140</a>	140	73	2.0	6.7	81.74	21.51
	190mm	<a href="#">SB7-190</a>	190	73	2.0	9.8	118.02	31.90
	215mm	<a href="#">SB7-215</a>	215	73	2.0	10.6	129.96	35.12

Many variations are possible, including bolted connections & other specially fabricated features - All standard in LDX2101® Stainless Steel. Call 01206 79 2001 to discuss or visit [www.stainless-lintels.co.uk](http://www.stainless-lintels.co.uk)

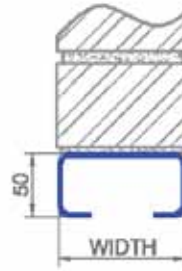
# SB Lintel Range



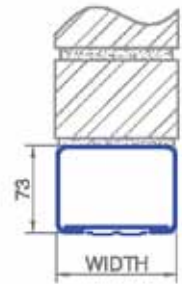
SB3  
(SB2 same form)



SB2, SB3 & SB5  
Alternative Installation (same load capacity)



SB5



SB7  
(Plaster key standard)

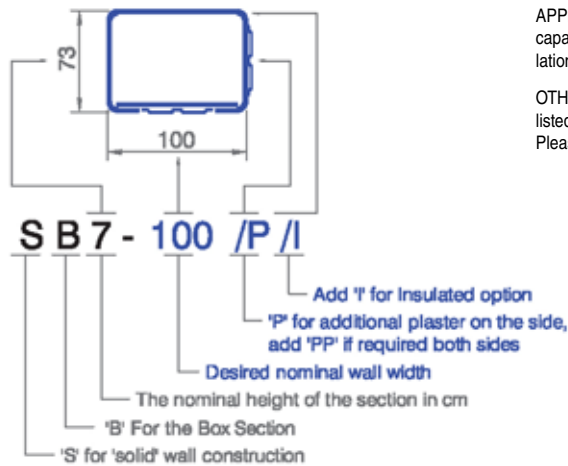
These Lintels may be installed upside down if desired, and their load capacity remains the same!  
...They can also be used on their side for narrow walls !

## Allowable evenly distributed load (Kn), for SB lintels

Overall Span (mm)	Lintel std length (mm)	SB2	SB3	SB5	SB7	loading Example (refer pg 85)	
600	900	4.6	7.9	17.8	34.9	masonry & timber floor	
750	1050	2.9	5.1	14.9	29.1		
900	1200	2.0	3.5	12.7	24.9		
1050	1350	1.5	2.6	9.4	21.8		
1200	1500		2.0	7.2	18.8		
1350	1650			5.7	14.8	full height masonry	
1500	1800			4.6	12.0		
1650	1950			3.8	9.9		
1800	2100	White area: use with caution for very light loads			8.3		
1950	2250				7.1		
2100	2400				6.1		

Permissible Moment (kN.m):	<b>0.46</b>	<b>0.74</b>	<b>1.67</b>	<b>3.4</b>
Permissible Point Load (kN):	<b>1.53</b>	<b>2.64</b>	<b>5.94</b>	<b>11.64</b>

### OPTIONS

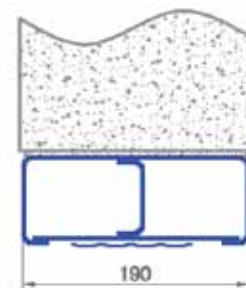


APPLICATION NOTES: All variations of an SB lintel (e.g. the different widths in an SB2) will have the same load carrying capacity, as listed in the table above. Specifying options as detailed below does not reduce the load capacity. For installation guide, see page 78

OTHER NOTES: These are light gauge lintels, but may occasionally be manufactured from heavier gauge steel if the listed gauge is unavailable or out of stock. In these cases dimensions are not significantly affected (except gauge). Please advise when placing an order if material gauge is of particular importance.

A typical range of options are available to suit a wide variety of applications, including:

- Filled with insulation (suffix / I)
- Plaster key on the side of the lintel (suffix /P) (SB7 only)
- Plaster key on both sides of the lintels (suffix /PP) (SB7 only)
- Plaster Key on the top (suffix /PT) (SB2,3 & 5 only)
- Custom widths (simply change the standard dimension)
- The specification convention is shown left with an example.



Wider variants of the SB7 lintel (over 140mm) may feature an additional web, or be manufactured from heavier material to maintain load capacity.