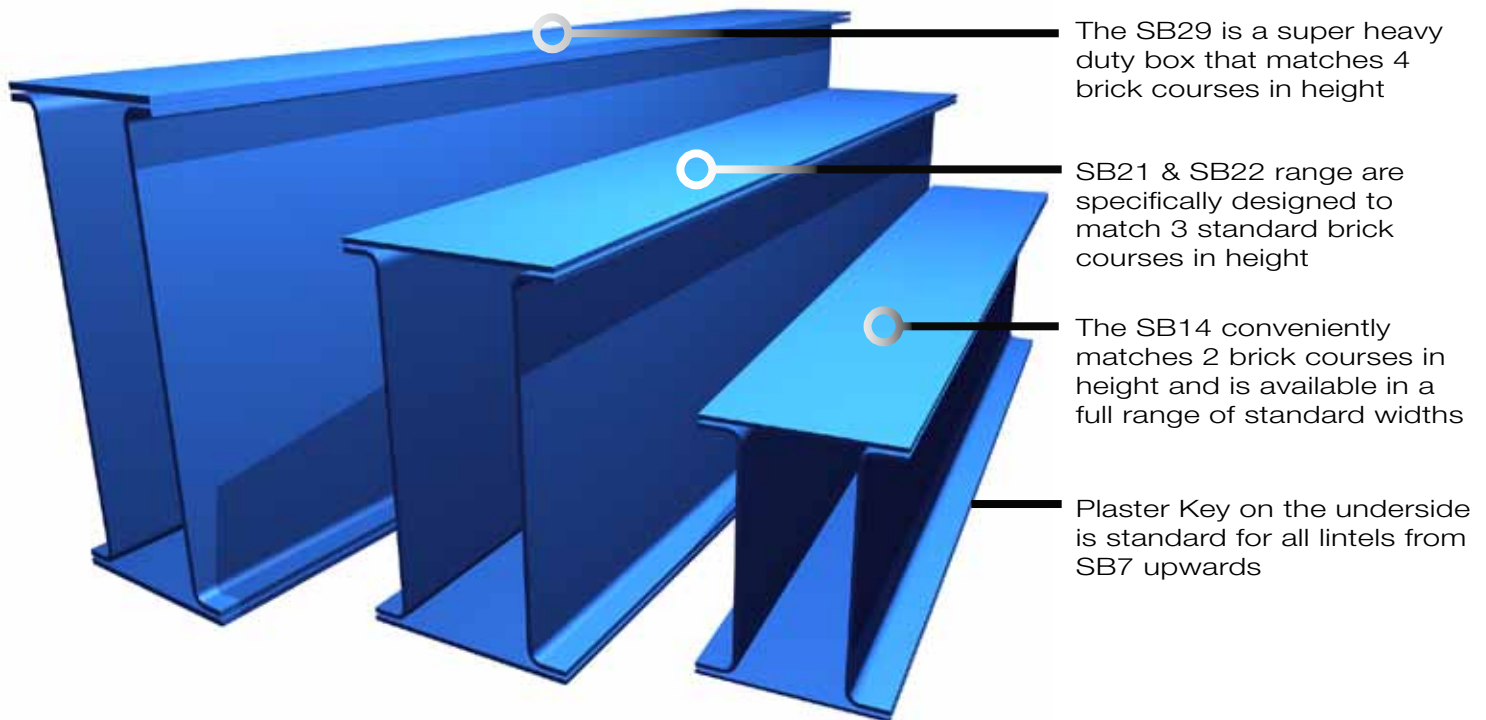


Versatile box lintels

SB Lintel Range



Our Standard Duty box lintels are extremely strong, versatile, and available in the widest range of standard sizes in the market today.

...All boxes can be made to any exact specified width to suit particular applications!*

We also manufacture a range of standard structural sections from LDX2101®, including RHS

- see page 76

Standard SB Lintels & Technical Information

	Nominal Wall	SPECIFY (standard)	Width (mm)	Height (mm)	Gauge (mm)	Mass (kg/m)	Ixx (cm ⁴)	Zxx (cm ³)
SB14 Lintels	75mm	SB14-75	75	140	2.0	8.4	339.4	48.48
	90mm	SB14-90	90	140	2.0	8.9	365.2	52.17
	100mm	SB14-100	100	140	2.0	9.2	384.2	54.89
	115mm	SB14-115	115	140	2.0	9.6	412.8	58.97
	125mm	SB14-125	125	140	2.0	13.8	581.1	83.01
	140mm	SB14-140	140	140	2.0	14.6	628.7	89.81
SB21 Lintels	75mm	SB21-75	75	215	3.0	15.9	1349	124.9
	90mm	SB21-90	90	215	3.0	16.6	1450	134.3
	100mm	SB21-100	100	215	3.0	17.1	1518	140.5
	115mm	SB21-115	115	215	3.0	17.8	1619	149.9
	125mm	SB21-125	125	215	3.0	20.1	1956	181.1
	140mm	SB21-140	140	215	3.0	26.9	2462	227.9
SB22 Lintels	90mm	SB22-90	90	215	4.0	21.1	1761	163.0
	100mm	SB22-100	100	215	4.0	22.0	1894	175.4
	115mm	SB22-115	115	215	4.0	22.7	1983	183.6
	125mm	SB22-125	125	215	4.0	23.6	2117	196.0
	140mm	SB22-140	140	215	4.0	26.7	2562	237.2
	190mm	SB22-141	190	215	4.0	28.2	2785	257.9
SB29 Lintels	100mm	SB29-100	100	290	4.0	25.8	3655	252.0
	115mm	SB29-115	115	290	4.0	26.7	3900	269.0
	125mm	SB29-125	125	290	4.0	27.3	4064	280.3
	140mm	SB29-140	140	290	4.0	28.2	4309	297.2
	190mm	SB29-190	190	290	4.0	31.0	4923	339.5
	215mm	SB29-215	215	290	4.0	32.6	5317	366.7

We can also produce these lintels in SS370 stainless steel. For 304 stainless steels or galvanised steel refer to our RED catalogue or visit www.lintels.co.uk. Call us on 01206 79 2001 for more information

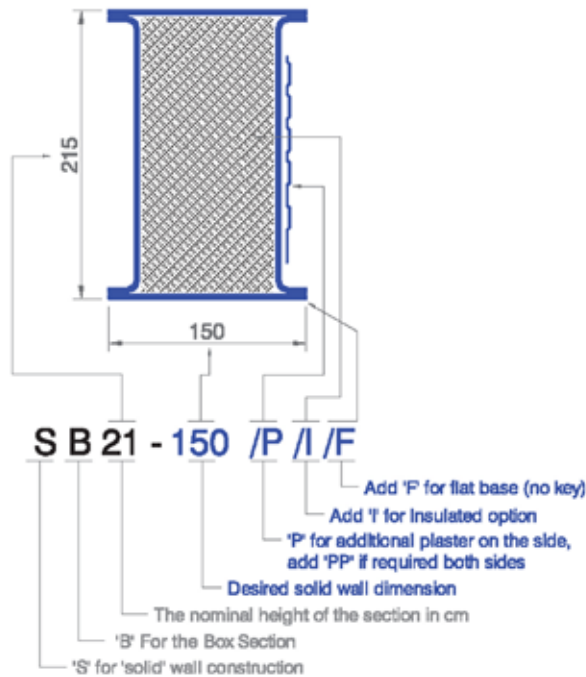
SB Lintel Range



OPTIONS:

These lintels have a range of options, specified with suffixes:

- For fully rockwool insulated add “/I”
- For flat base (i.e. no plaster key) add “/F”
- For plaster key on one or both sides add “/P” or “/PP” respectively



Allowable evenly distributed Load (kN) for SB Lintels

Opening Span (mm)	Lintel std. length (mm)	SB14	SB21	SB22	SB29	Load Example: (refer page 85)
600	900	74.3	100.7	158.1	176.1	masonry & concrete floor or masonry & tiled roof
750	1050	74.3	100.7	158.1	176.1	
900	1200	74.3	100.7	158.1	176.1	
1050	1350	74.3	100.7	158.1	176.1	
1200	1500	74.3	100.7	158.1	176.1	
1350	1650	74.3	100.7	158.1	176.1	
1500	1800	64.4	100.7	158.1	176.1	
1650	1950	53.2	100.7	144.9	176.1	
1800	2100	44.7	100.7	133.8	176.1	
1950	2250	38.1	93.7	124.2	176.1	
2100	2400	32.8	87.4	115.9	176.1	
2250	2550	28.6	82.0	108.7	165.1	
2400	2700	25.1	77.2	102.3	155.4	
2550	2850	22.3	72.9	96.6	146.8	
2700	3000	19.9	69.0	91.5	139.1	
2850	3150	17.8	65.6	86.9	132.1	
3000	3300	16.1	62.5	82.8	125.8	
3150	3450	14.6	58.0	75.7	120.1	
3300	3600	13.3	52.9	69.0	114.9	
3450	3750		48.4	63.1	110.1	
3600	3900		44.4	58.0	105.7	
3750	4050		40.9	53.4	101.6	
3900	4200		37.8	49.4	97.9	
4050	4350		35.1	45.8	94.4	
4200	4500		32.6	42.6	88.4	
4350	4650		30.4	39.7	82.4	
4500	4800			37.1	77.0	

white areas : full height of masonry

Maximum Moment (kN.m):	11.84	24.59	32.61	49.54
Maximum Point Load (kN):	17.54	25.18	39.52	44.04

NOTES:

These boxes are also available in widths narrower than 100mm to suit narrow walls, but the load capacity is usually reduced proportionally.

Standard lengths are shown, but Intermediate lengths are also available on request.

Wider versions (190mm and wider) may feature an additional web for strength in lighter gauge boxes - see diagram below right.

Occasionally these boxes may be manufactured from heavier gauge sheet than listed depending on material availability, but external dimensions will remain as shown. Please advise if product weight is important. For installation guidelines refer page 80