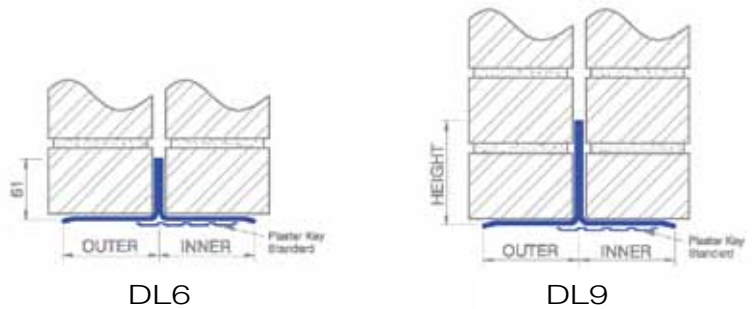
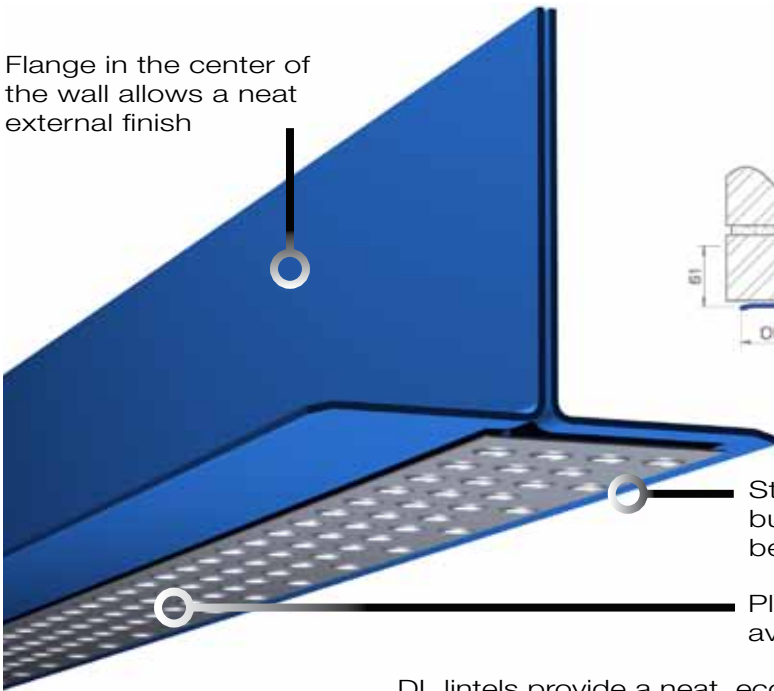


# DL Lintel range

Flange in the center of the wall allows a neat external finish



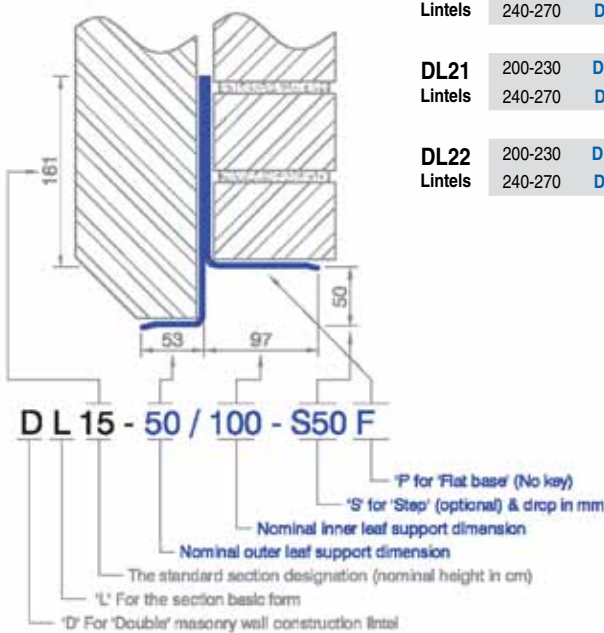
Standard drip feature also provides a stiff edge, but can be omitted on request (option '/F' below)

Plaster key is standard on one side, but also available on both, or without!

DL lintels provide a neat, economic & easy to install solution for supporting double thickness masonry walls. Standard in tough & durable LDX2101® Stainless Steel as standard.

### Standard Lintels & Technical Information

	Nominal Wall (mm)	SPECIFY	OUTER (mm)	INNER (mm)	Width (mm)	Height (mm)	Gauge (mm)	Mass (kg/m)	Ixx (cm <sup>4</sup> )	Zxx (cm <sup>3</sup> )
<b>DL6</b> Lintels	200-230	DL6-100/100	95	95	190	61	3.0	7.0	30.10	6.271
	240-270	DL6-115/115	115	115	230	61	3.0	7.9	31.58	6.445
<b>DL9</b> Lintels	200-230	DL9-100/100	95	95	190	103	3.0	8.9	127.40	16.99
	240-270	DL9-115/115	115	115	230	83	3.0	8.9	74.60	11.66
<b>DL15</b> Lintels	200-230	DL15-100/100	95	95	190	161	3.0	11.6	425.7	39.05
	240-270	DL15-115/115	115	115	230	141	3.0	11.6	317.7	31.45
<b>DL21</b> Lintels	200-230	DL21-100/100	95	95	190	221	3.0	14.4	996.0	70.14
	240-270	DL21-115/115	115	115	230	201	3.0	14.4	825.1	61.12
<b>DL22</b> Lintels	200-230	DL22-100/100	95	95	190	221	4.0	19.1	1,317	93.42
	240-270	DL22-115/115	115	115	230	201	4.0	19.1	1,091	80.81

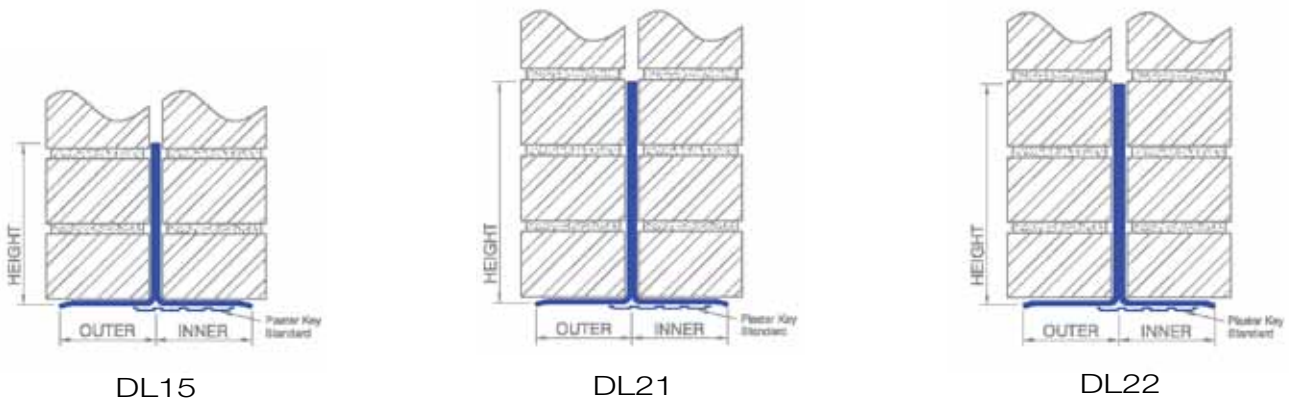


### OPTIONS FOR DL LINTELS

As usual, these lintels have numerous possible options, and remember lead time is not affected, so don't hesitate to specify options if you want something slightly different:

- Add '/F' for 'flat base' if you do not require plaster key
- Add '/S' and a drop measurement to create an outer step
- Either leaf support dimension can be customised (lintels of total width <150mm may have reduced load capacity)
- The Drip features can be left off; specify on your order to leave one or both drip features off. (note that drip features assist in creating a neat straight soffit)

# DL Lintel range



Need stronger? Try the DL Lintel range on the next page >

### Loading notes:

Caution: these lintels are prone to twisting unless both sides are raised at the same time, and have even loadings. For uneven loadings they should be restrained against twisting along their length and at any locations of point load application. Stated loads refer to fully cured and even masonry loads, without any lateral support. But rotational resistance from the masonry is assumed.

### Allowable evenly distributed load (kn), for DL lintels

Opening Span (mm)	Lintel std length (mm)	DL6	DL9	DL15	DL21	DL22	Load Example (refer pg 85)
600	900	9.6	17.8	29.7	34.2	54.1	masonry & concrete floor or masonry & tiled roof
750	1050	9.6	17.8	29.7	34.2	54.1	
900	1200	9.6	17.8	29.7	34.2	54.1	
1050	1350	8.4	15.5	26.0	29.9	54.1	
1200	1500	7.4	13.8	23.1	26.6	54.1	
1350	1650	6.7	12.4	20.8	23.9	48.7	
1500	1800	5.7	11.3	18.9	21.7	44.3	masonry & timber floor
1650	1950		10.4	17.3	19.9	40.6	
1800	2100		9.6	16.0	18.4	37.4	
1950	2250		8.4	14.8	17.1	34.8	
2100	2400		7.2	13.9	15.9	32.5	
2250	2550			13.0	14.9	30.4	
2400	2700			12.2	14.1	28.6	full height of masonry
2550	2850			11.5	13.3	27.0	
2700	3000			10.9	12.6	25.6	
2850	3150			10.4	12.0	24.3	
3000	3300			9.9	11.4	23.2	
3150	3450				10.9	22.1	
3300	3600				10.4	21.2	440mm of masonry
3450	3750					20.3	
3600	3900					19.5	
3750	4050		Applications without a load shown are not recommended			18.7	
3900	4200					18.0	
4050	4350					17.4	
4200	4500					16.8	
4350	4650					16.2	
4500	4800					15.7	
Permissible Moment (kN.m):		1.26	2.40	3.90	4.48	9.13	
Permissible Point Load (kN):		3.19	5.92	9.89	11.4	18.0	

### LDX 2101®

Over double the strength of grade 304 stainless steel and more corrosion resistant!

Our loads correspond the clear span, rather than the lintel length; 150mm bearings are standard but lintels can be manufactured at any intermediate length on request, lead time is unaffected.

For installation guide see page 79